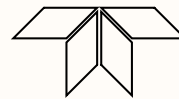
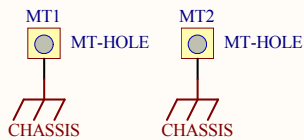
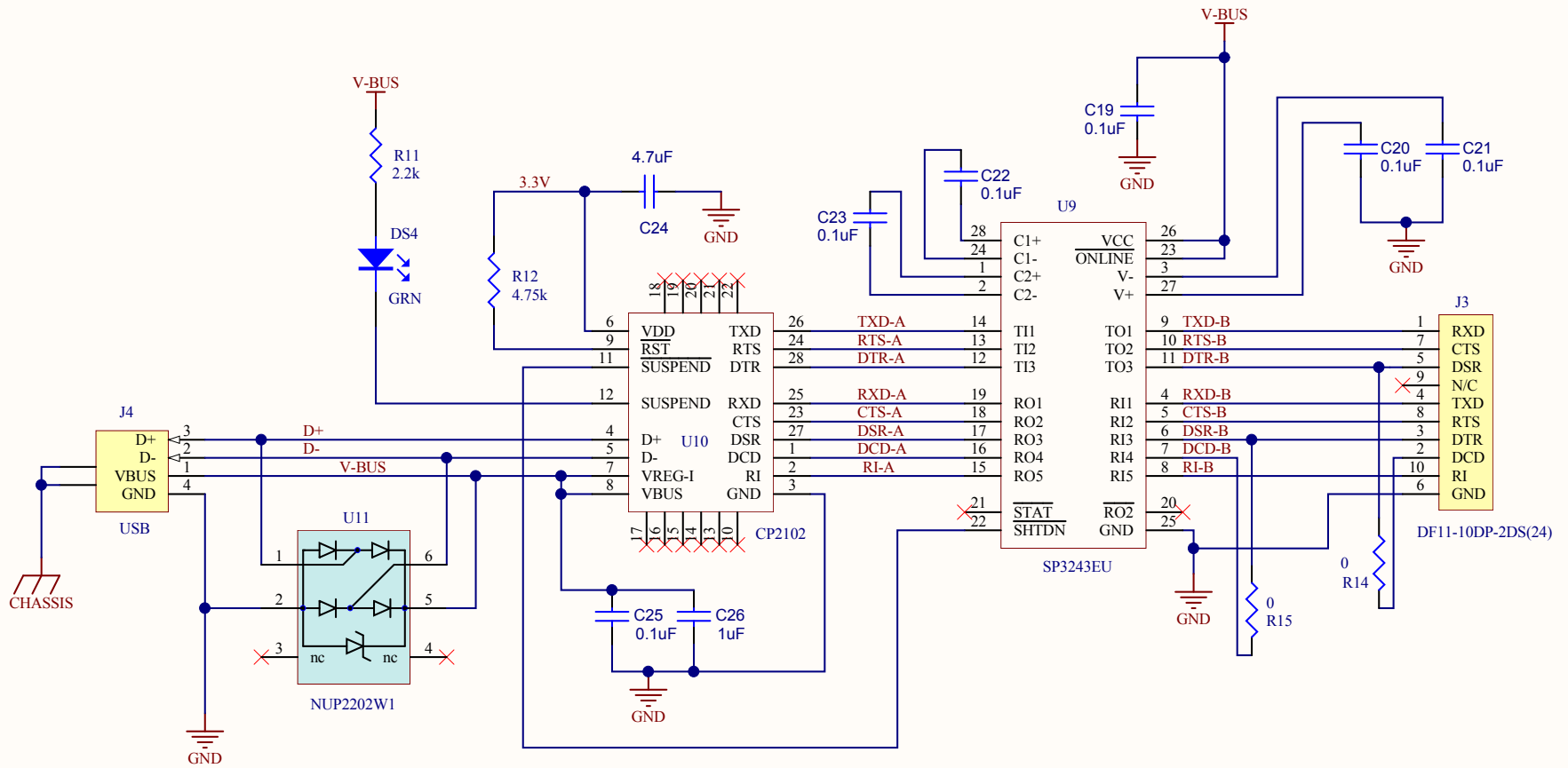


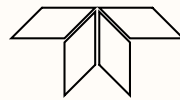
DCN:6092  
 PRINTED DOCUMENTS ARE UNCONTROLLED



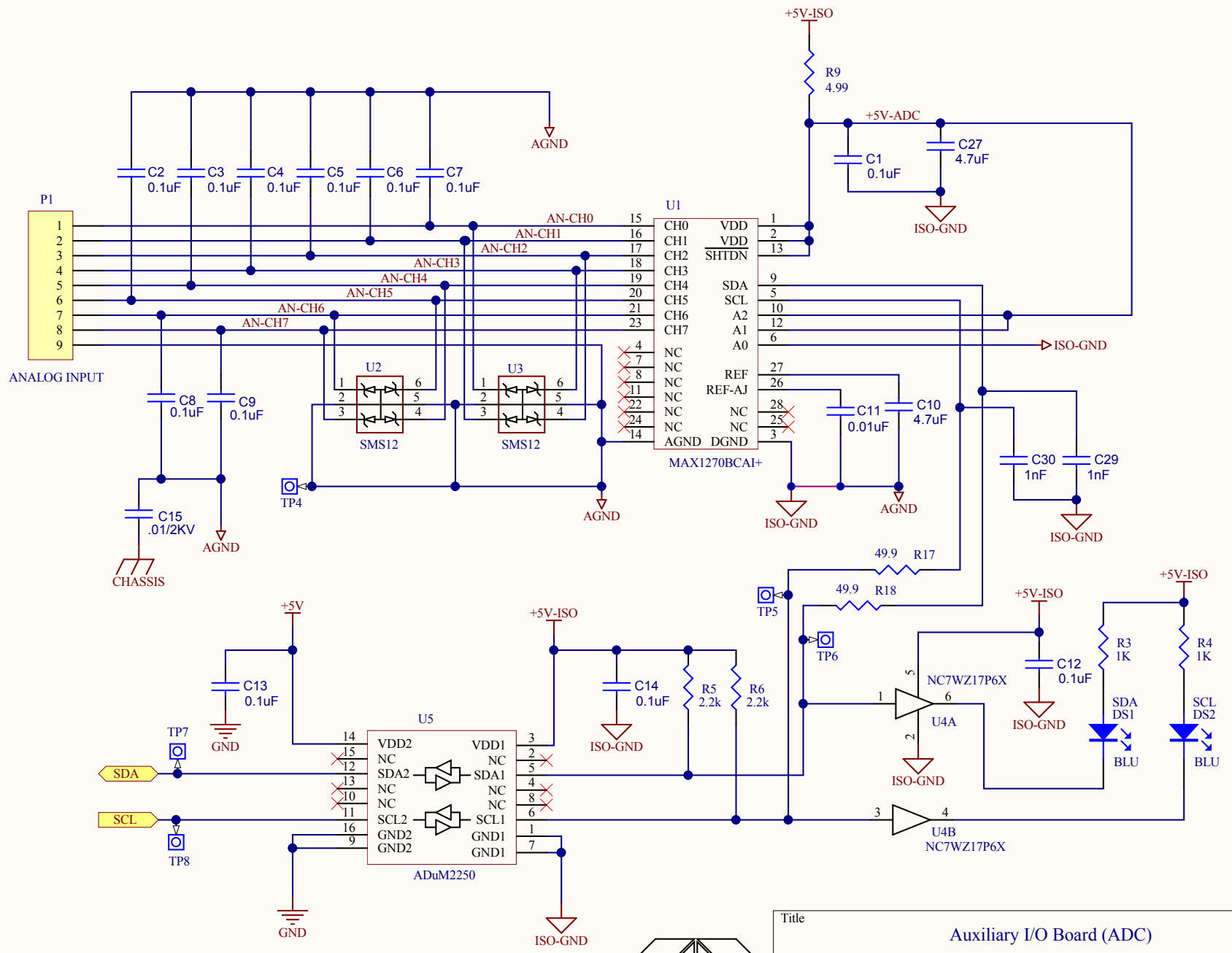
Title			Auxiliary I/O Board (PWR-ETHERNET)		
Size	Number	Revision			
A	06731	B			
Date:	5/6/2011	Sheet 1 of 3			
File:	N:\PCBMGR\..06731-1 ETHERNET.SchDoc	Drawn By:		RT	



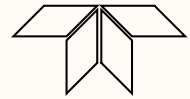
DCN:6092  
 PRINTED DOCUMENTS ARE UNCONTROLLED



Title			Auxiliary I/O Board (USB)		
Size	Number	Revision			
A	06731	B			
Date:	5/6/2011	Sheet 2 of 3			
File:	N:\PCBMGR\..06731-2 USB.SchDoc	Drawn By:		RT	



DCN:6092  
 PRINTED DOCUMENTS ARE UNCONTROLLED



Title			Auxiliary I/O Board (ADC)		
Size	Number	Revision			
A	06731	B			
Date:	5/6/2011	Sheet 3 of 3			
File:	N:\PCBMGR\..06731-3_ADC.SchDoc	Drawn By:		RT	