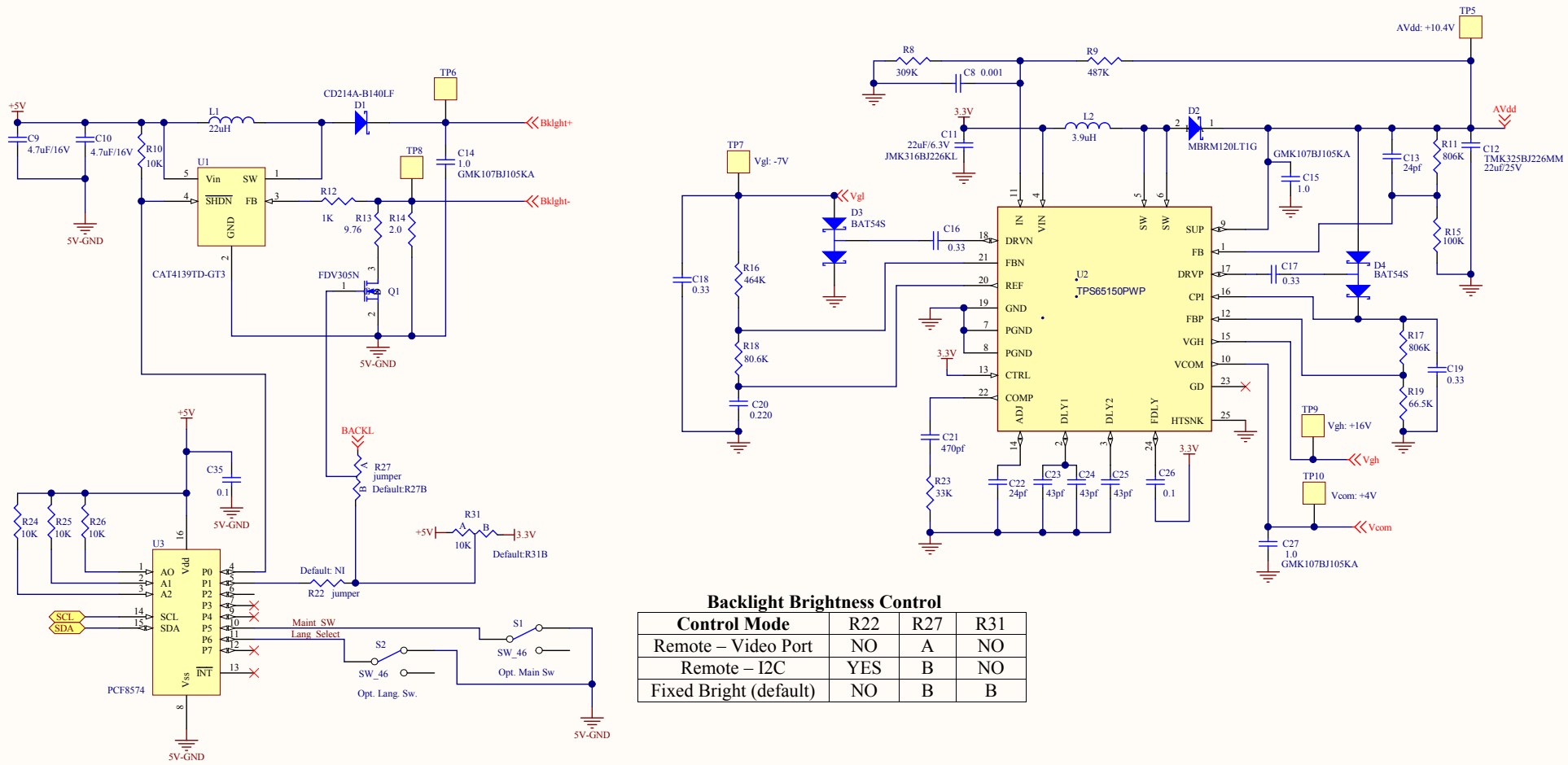


Make	Model	JP2	JP3
FEMA	GM800480W	1-2, 4-5, 7-8, 10-11, 13-14, 16-17	1-2, 4-5, 7-8, 10-11
Data Image	FG0700A0DSWBG01	3-2, 6-5, 9-8, 12-11, 15-14, 18-17	2-3, 5-6, 8-9, 11-12
United Radiant Tech.	UMSF-8173MD-1T	2-3, 4/5/6 NC, 7/8/9 NC, 10-11, 13-14, 16/17/18 NC	2-3, 5-6, 8-9, 11-12

Title			
GUI Interface			
Size	Number	Revision	
B	06698	D	
Date:	6/24/2010	Sheet 1 of 4	
File:	N:\PCBMGR\...06696.P1.R3.schdoc	Drawn By: RT	

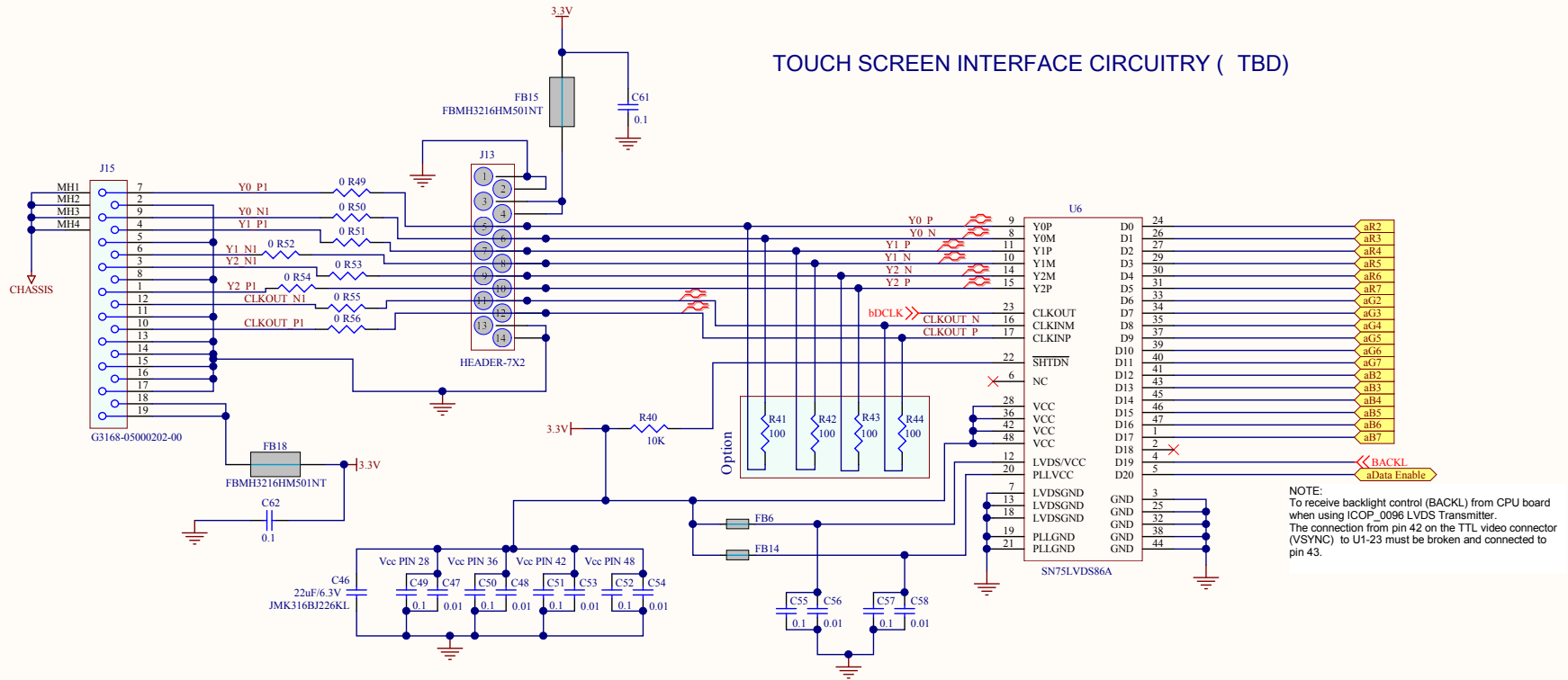


Backlight Brightness Control

Control Mode	R22	R27	R31
Remote – Video Port	NO	A	NO
Remote – I2C	YES	B	NO
Fixed Bright (default)	NO	B	B

Title			
GUI Interface			
Size	Number	Revision	
B	06698		D
Date:	6/24/2010	Sheet 2 of 4	
File:	N:\PCBMGR\06696.P2.R3.schdoc	Drawn By:	RT

TOUCH SCREEN INTERFACE CIRCUITRY (TBD)



Title		
GUI Interface		
Size	Number	Revision
B	06698	D
Date:	6/24/2010	Sheet 4 of 4
File:	N:\PCBMGR\06696.P4.R3.schdoc	Drawn By: RT