

12-005

05 March, 2012

M701 / M701H REGENERATIVE DRIER SHUTTLE VALVE INFORMATION

I. PURPOSE:

The configuration of the Regenerative Drier has changed. The shuttle valve is no longer available. A new design incorporates 2 check valves (ball type) and a reverse bleed restrictor in the upper manifold. This new design replaces the shuttle valve but still accomplishes the exact same function.

Please review the drawings below to see the differences between the 2 designs. Since the shuttle valve is no longer available, if a drier shuttle valve fails, a new drier or drier head will be required. Two diameters of the columns currently exist, 2 inches and 2.5 inches outside diameter.

II. TOOLS:

None – information only service note

III. PARTS:

None required – information only service note

2"

045460000 ASSY, DRIER, M701 W/INTEGRATED SHUTTLE

034230000 ASSY, HEADER, REGEN DRIER, M701

2.5"

064090000 ASSY, HIGH CAPACITY DRIER, M701H

066950000 ASSY, HEADER HI-CAP DRIER

used in models:

(060000200 M701H ZERO AIR MODULE GEN 2)

(060000300 M701H ZERO AIR MODULE GEN 3)

IV. PROCEDURE:

1. See the drawings below of the 2 different designs
 - a. The new design drawing are followed by the old design
2. If you have any question, please feel free to contact Customer Service at Teledyne-API
 - a. Api-customerservice@teledyne.com
 - b. 1 (800) 324-5190

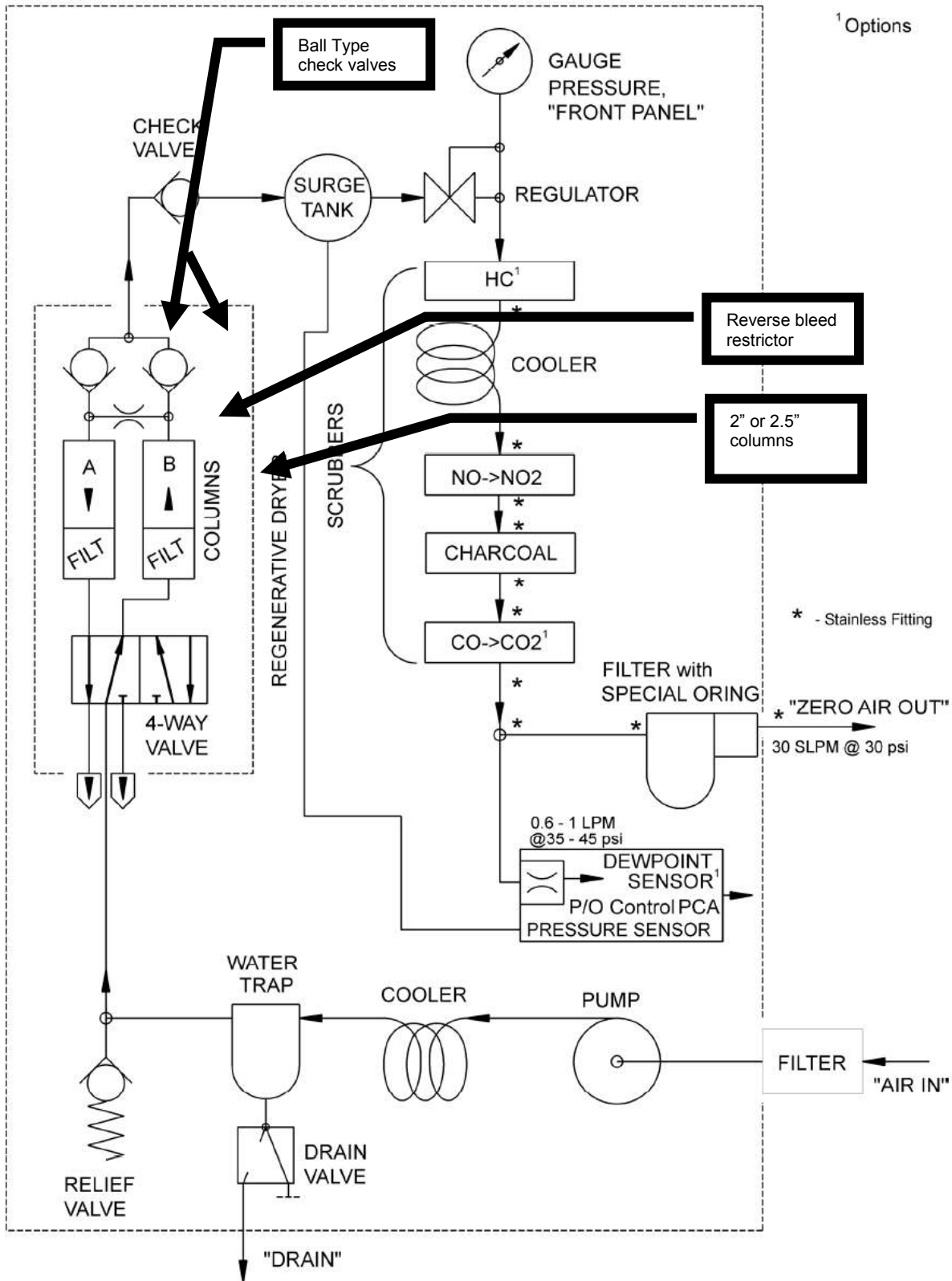
M701 / M701H Regenerative Drier Shuttle Valve Information

12-005 Rev A (DCN 6404) 03/05/2012

Page 1 of 6

PRINTED DOCUMENTS ARE UNCONTROLLED

New design without shuttle valve – uses 2 ball type check valves



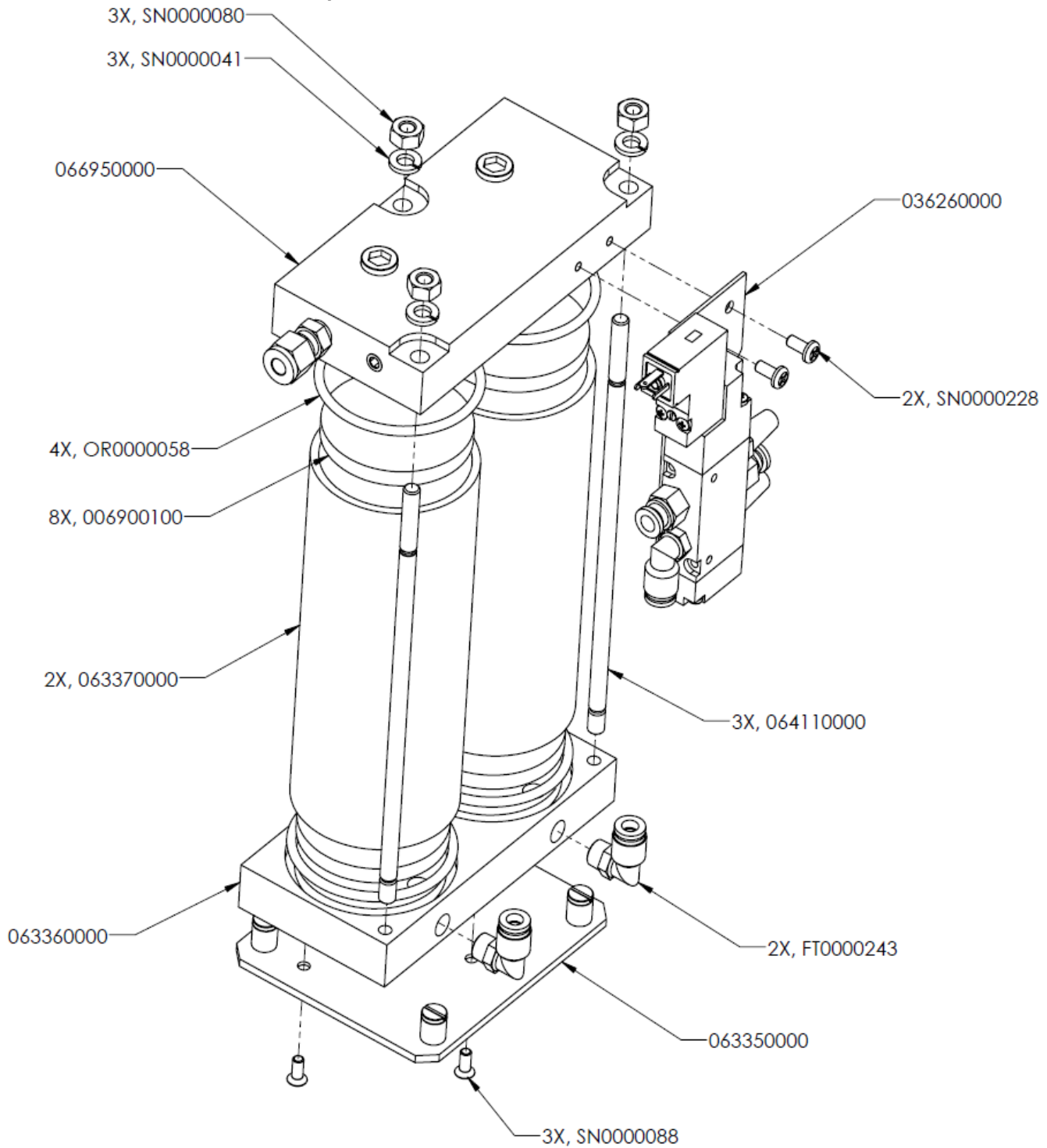
M701 / M701H Regenerative Drier Shuttle Valve Information

12-005 Rev A (DCN 6404) 03/05/2012

Page 2 of 6

PRINTED DOCUMENTS ARE UNCONTROLLED

New design without shuttle valve – uses 2 ball type check valves
These part numbers are for the 2.5" columns



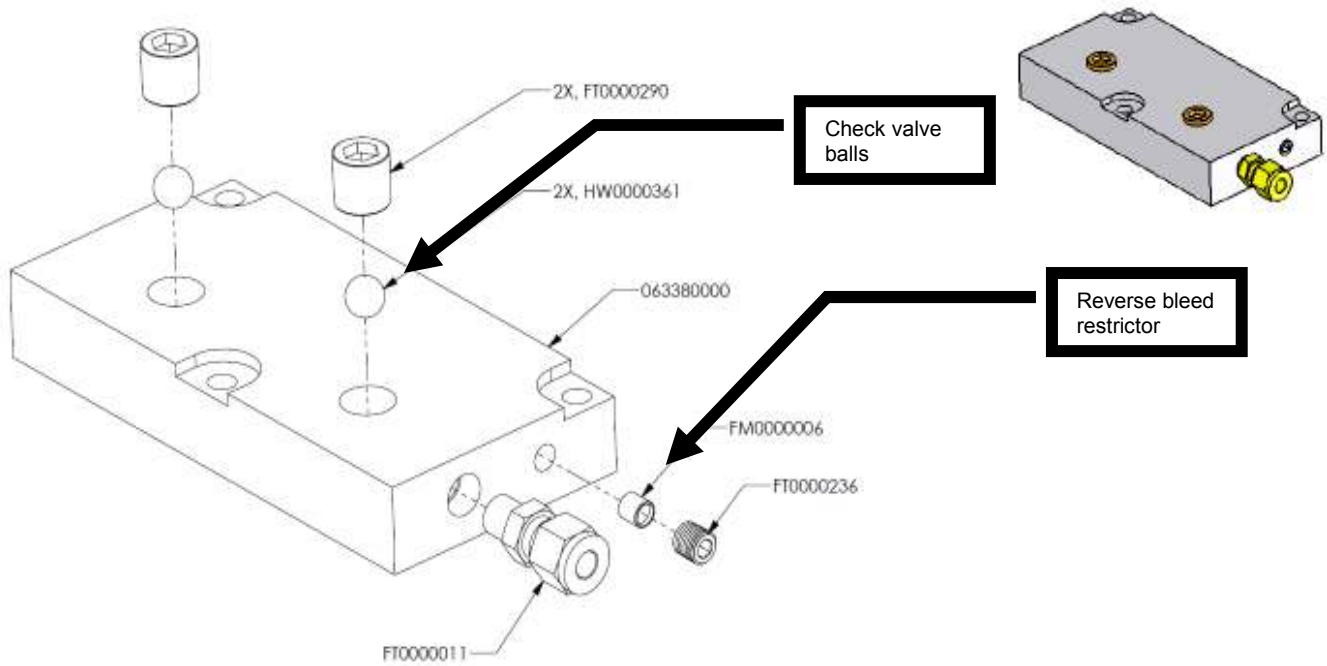
M701 / M701H Regenerative Drier Shuttle Valve Information

12-005 Rev A (DCN 6404) 03/05/2012

Page 3 of 6

PRINTED DOCUMENTS ARE UNCONTROLLED

New design without shuttle valve – uses 2 ball type check valves
These part numbers are for the 2.5" columns



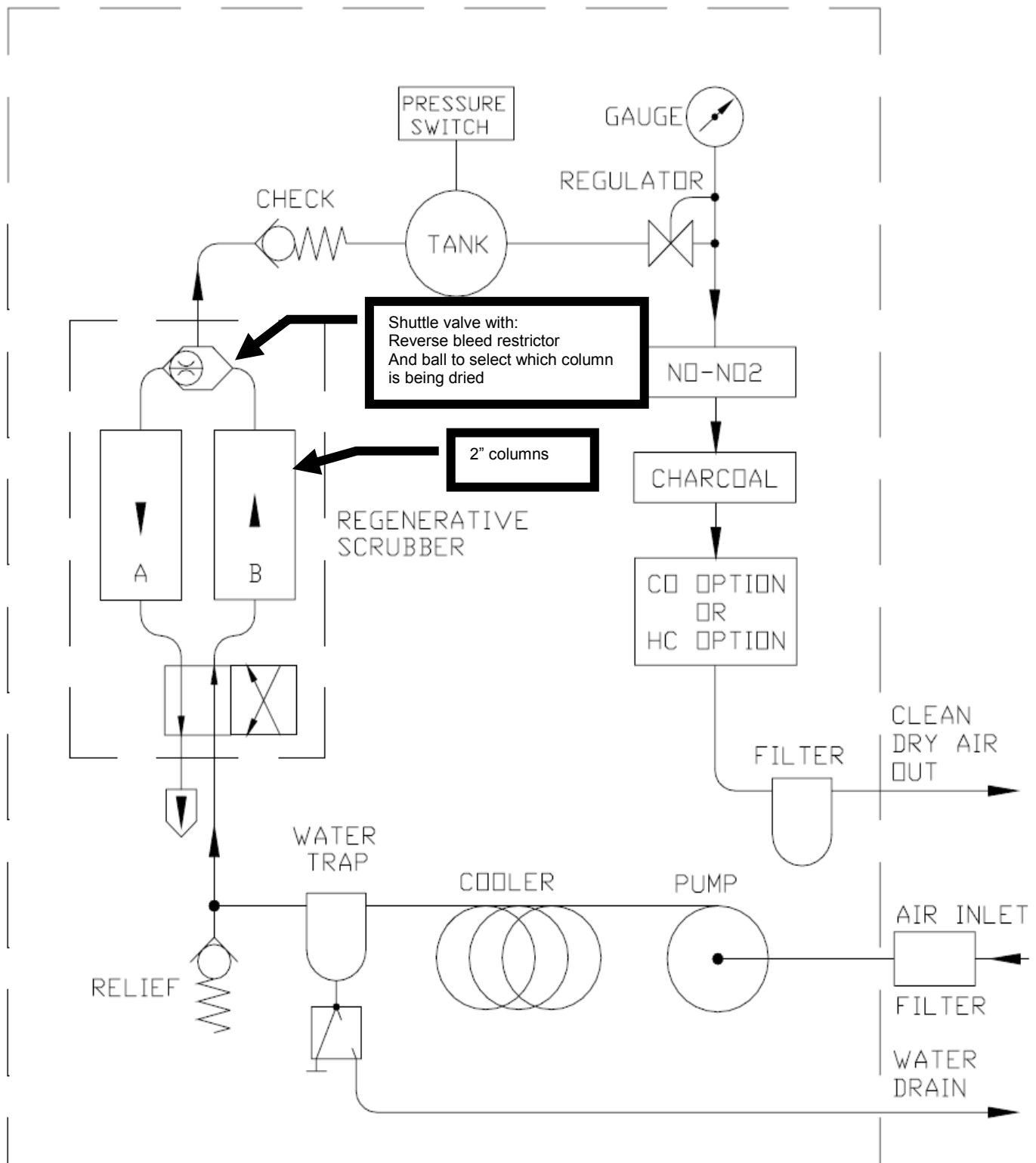
M701 / M701H Regenerative Drier Shuttle Valve Information

12-005 Rev A (DCN 6404) 03/05/2012

Page 4 of 6

PRINTED DOCUMENTS ARE UNCONTROLLED

Previous Shuttle Valve Version



M701 / M701H Regenerative Drier Shuttle Valve Information

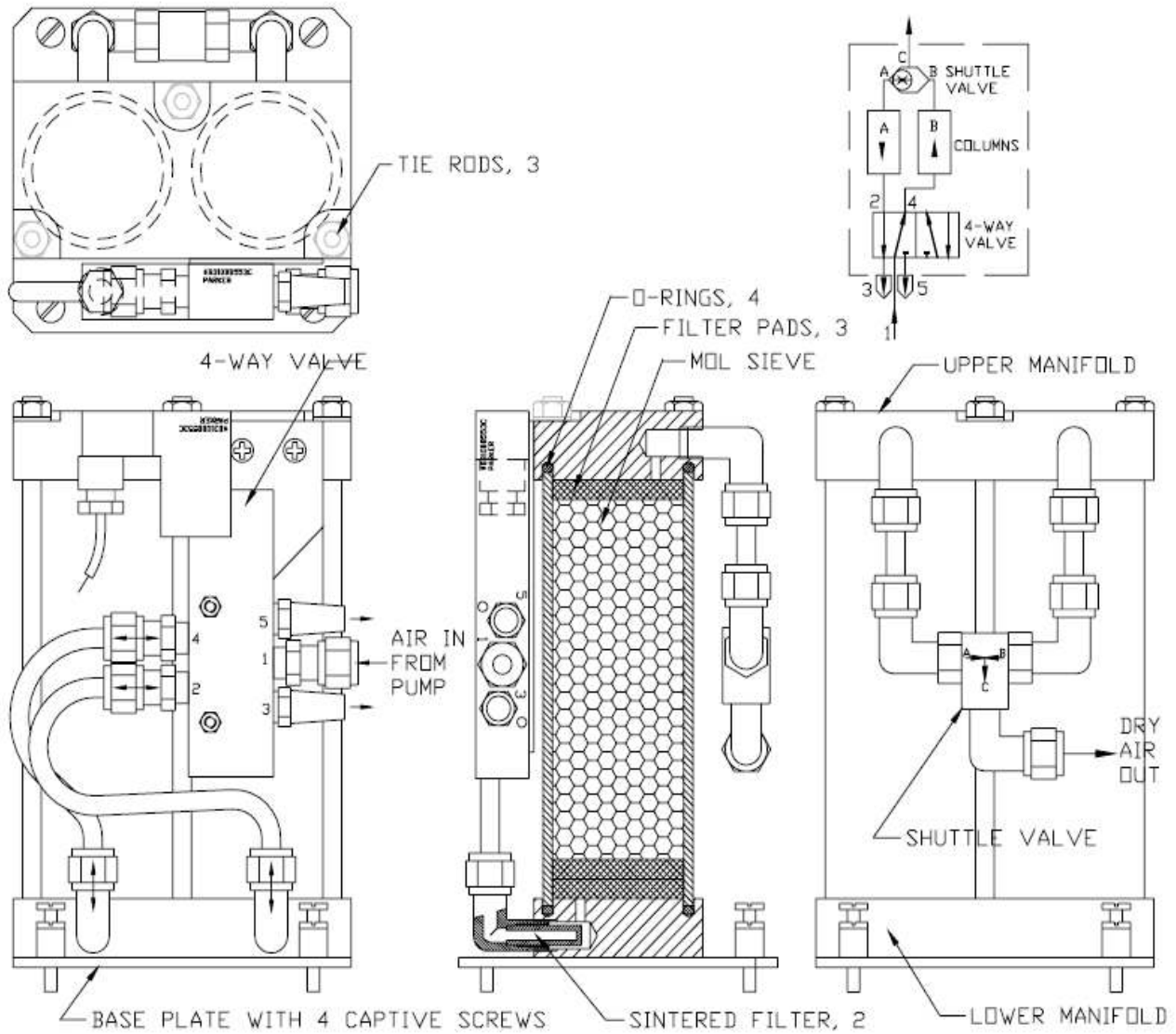
12-005 Rev A (DCN 6404) 03/05/2012

Page 5 of 6

PRINTED DOCUMENTS ARE UNCONTROLLED

Previous Shuttle Valve Version

Figure 5-2: Regenerative Scrubber



M701 / M701H Regenerative Drier Shuttle Valve Information

12-005 Rev A (DCN 6404) 03/05/2012

Page 6 of 6

PRINTED DOCUMENTS ARE UNCONTROLLED