



10-018 **Rev. A**
October 18, 2010

POWER SUPPLY INFORMATION FOR THE M460L,M,H

I. PURPOSE:

To inform our customers of power supply information required prior to ordering a replacement

II. TOOLS:

None

III. PARTS:

None

IV. This service note is for information only. Before ordering a replacement power supply for your M460L, M, H it is critical to identify the model of the existing power supply installed in your analyzer. Different revisions of the main-board require different power supplies and are not interchangeable. If the wrong power supply is installed, damage will occur. Please see figure #1 to locate the power supply in your instrument. Using the information below, identify your power supply.

PS0000035:

Will have a clear data sticker on its heat sink with outputs & ratings written on it with the following information:

EOS PSM, +15V – 40W psm

PS0000037:

Will have a white data sticker on its heat sink with outputs & ratings written on it with the following information:

XP PSM, Triple – 40W psm

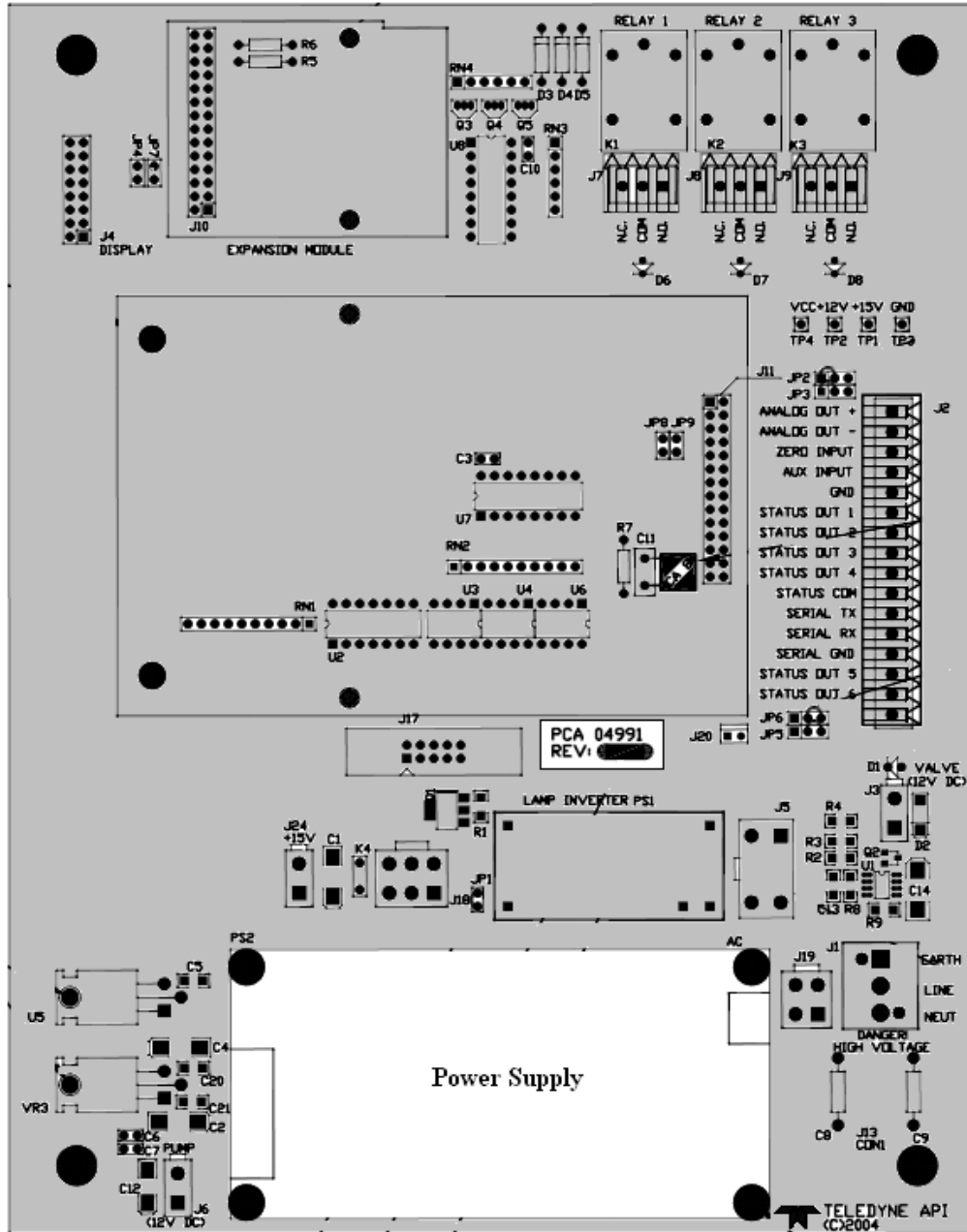


Figure #1

POWER SUPPLY INFORMATION FOR THE M460L, M, H
 10-018 Rev A (DCN5890) 10/18/10
 Page 2 of 2