



05-010B  
2 May, 2007

**INSTALLATION OF NEW MFC PLATE**

**I. PURPOSE:**

We are using a new MFC that has different mounting holes on the bottom from the older style MFCs. This new MFC will not fit into an older analyzer with out an adaptor plate.

**II. TOOLS:**

Phillips head screwdriver

**III. PARTS:**

KIT000224

**IV. PROCEDURE:**

1.) First we are going to install the adaptor plate onto the new MFC. Take the adaptor plate, 052520000, and install SN-32. This screw will go into the counter-sunk hole in the plate and screw down on the MFC.

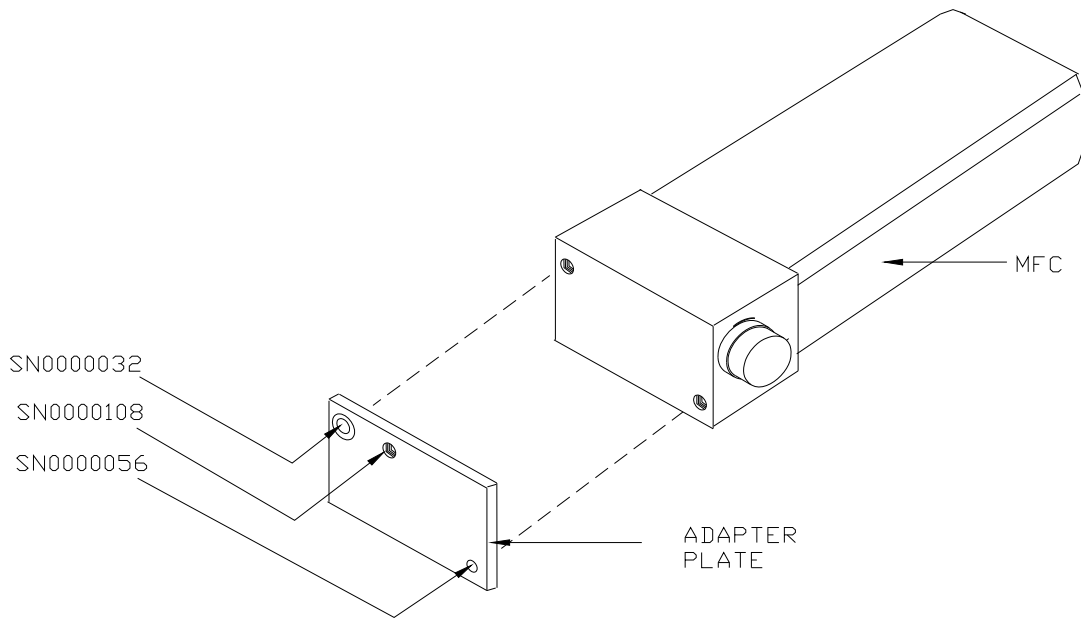
2.) Take the entire MFC/Plate assembly, with the one screw in it, and place it where the old MFC was removed. You will now screw in two screws from the underside of the analyzer. First take SN-56, the long screw. This screw will go through both the chassis and the adaptor plate to screw into the MFC.

3.) Take the last screw, SN-108, and install it in the final hole. Secure the MFC plate to the chassis. This will complete the hardware installation of the MFC and adaptor plate. Hook the appropriate tubing back up to the MFC and perform the necessary calibrations for replacing an MFC

**INSTALLATION OF NEW MFC PLATE**

05-010 Rev B

Page 1 of 2



**INSTALLATION OF NEW MFC PLATE**

05-010 Rev B

Page 2 of 2