



04-002B
2 May, 2007

INSTALLING A RELAY HOLD DOWN BRACKET IN A M100E/M200E ANALYZER

I. PURPOSE:

To give instructions on how to install a hold down bracket on the relay board in a M100E and a M200E model analyzer.

II. TOOLS:

Phillips screwdriver

III. PARTS:

KIT000194

IV. PROCEDURE:

1. Power down the instrument and remove the power cord.
2. Locate the relay board. (It is located in the right-hand rear corner of the instrument).
3. Remove the hold down bracket, standoffs and screws from the kit.
4. There are 4 mounting screws that hold the relay board to its mounting bracket. You are going to remove 2 of these screws. Refer to Figure 1 for location of the mounting screws.
5. Once the two screws are removed align the spacer and hold down bracket so that you are able to fasten them down with the screws contained in the KIT. Refer to Figure 2.
6. Once the spacer and hold down bracket are properly aligned and tightened you may power on the instrument.
7. The instrument is now ready for use.

INSTALLING A RELAY HOLD DOWN BRACKET IN A M100E/M200E ANALYZER

04-002 Rev B

Page 1 of 2

FIGURE 1

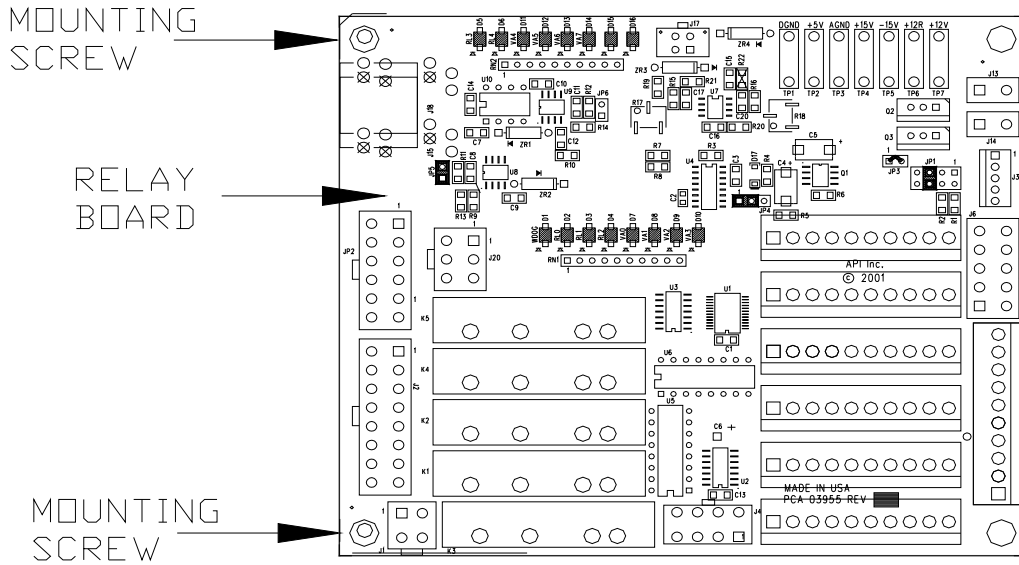
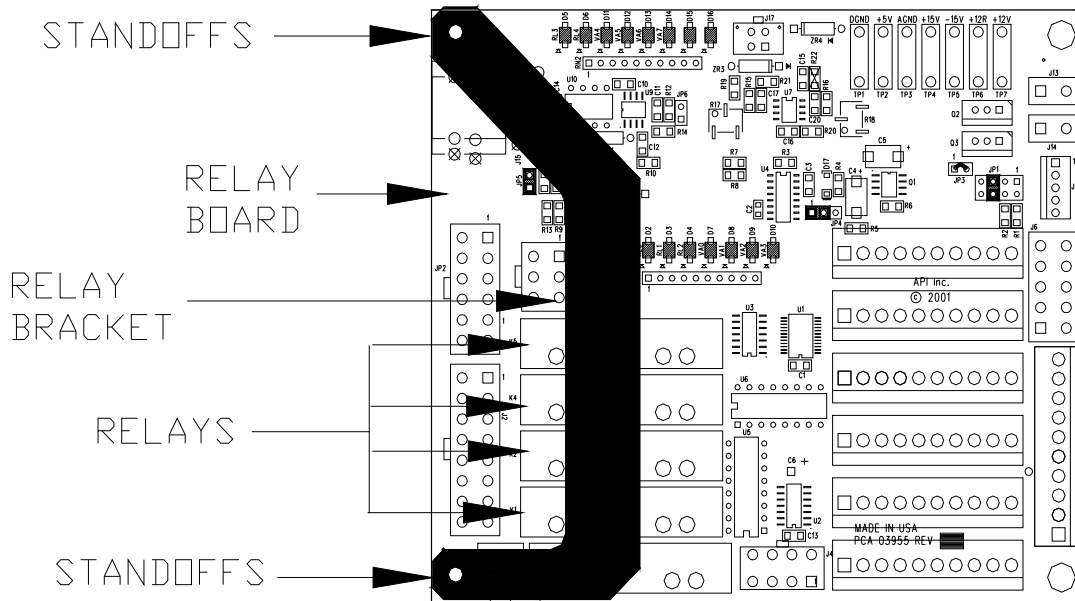


FIGURE 2



INSTALLING A RELAY HOLD DOWN BRACKET IN A M100E/M200E ANALYZER
04-002 Rev B