



02-037B
2 May, 2007

HOW TO CONVERT A 300 TYPE IR PRODUCT FROM 115/60HZ TO 115/50HZ

I. PURPOSE:

To give instructions on how to convert an M300 IR type product from 115/60Hz to 115/50Hz.

II. TOOLS:

Needle Nose Pliers
Phillips Tipped screwdriver

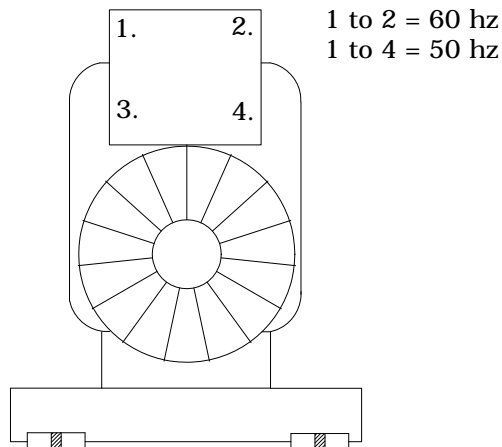
III. PARTS:

KIT000119

IV. PROCEDURE:

When changing the frequency from 60 to 50 Hz, ensure that the Synchronous motor and the pump are configured correctly.

1. Remove power from the instrument.
2. Remove top cover from the instrument.
3. Locate the Synchronous motor (Figure 2); disconnect the connector from the motor to the wiring harness. Install the KIT000119 (50HZ capacitor) between the motor and the wiring harness.
4. Locate the pump. Refer to the Diagram below:



5. Change the wires on the tabs to the proper position. Tabs 1 to 4 for 50HZ.
6. Locate the V/F board. Change the B15 Jumper from 60Hz to 50Hz.
7. Locate the power transformer inside the Power supply module. Follow Figure 1 on the next page and ensure that the transformer is set to 115VAC.

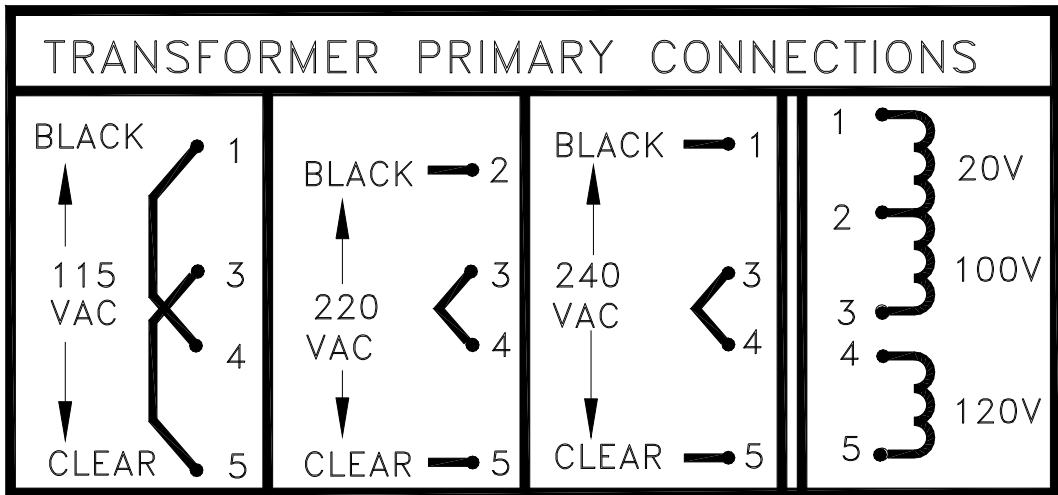


FIGURE 1

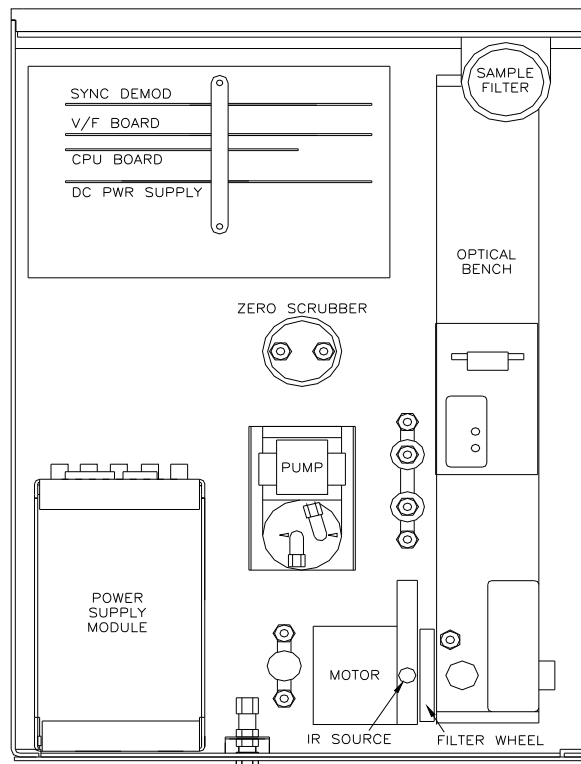


FIGURE 2

8. Reconnect power to the instrument. The instrument is ready for use.