



RETROFIT VA33 THREE WAY 12 VOLT VALVE IN M100A AND M700 ANALYZERS

I. SCOPE:

This service note addresses the installation of the VA0000033 Three-way 12-volt electric solenoid valve, used in the M100A and M700 analyzers, if they become defective. The new valves are being used because they have been proven to be more reliable.

II. PARTS:

For the M100A analyzer KIT000024 is required.
For the M700 calibrator KIT000023 is required.

III. TOOLS:

2 Adjustable wrenches
Flat Blade screwdriver
Phillips head screwdriver
Knife or Tube cutter

IV. PROCEDURE:

1. Remove the electrical power from the analyzer and remove the cover.
2. Locate the valve assemble in the instrument.
3. Unplug and remove electrical plugs from solenoid valve bracket.
4. Remove tubing from solenoid valve. (Be sure to label tubes as you remove them.)
5. Loosen screw on each end of solenoid bracket and remove assembly from analyzer.
6. Remove 2 screw that holds the old solenoid valves to bracket.
7. Now install the new solenoid valves.
8. Install adapter plate to bottom of new solenoid valves using flat head #4-40x1/4" screws.
9. Install solenoid valves to assembly bracket using pan head #4- 40x 3/16" screws then install assembly back into analyzer.
10. Remove old ferrule and tube nuts from tubing to be connected to new solenoid valves.
11. Install new ferrules and Delrina 1/4-28 1/8" tube nut and install tubing to solenoid valves. (See enclosed drawings.)
12. Reinstall power plugs to solenoid valve bracket and the connect power to solenoid valves. (See enclosed drawings)
13. After assembly is complete be sure to leak check the analyzer.

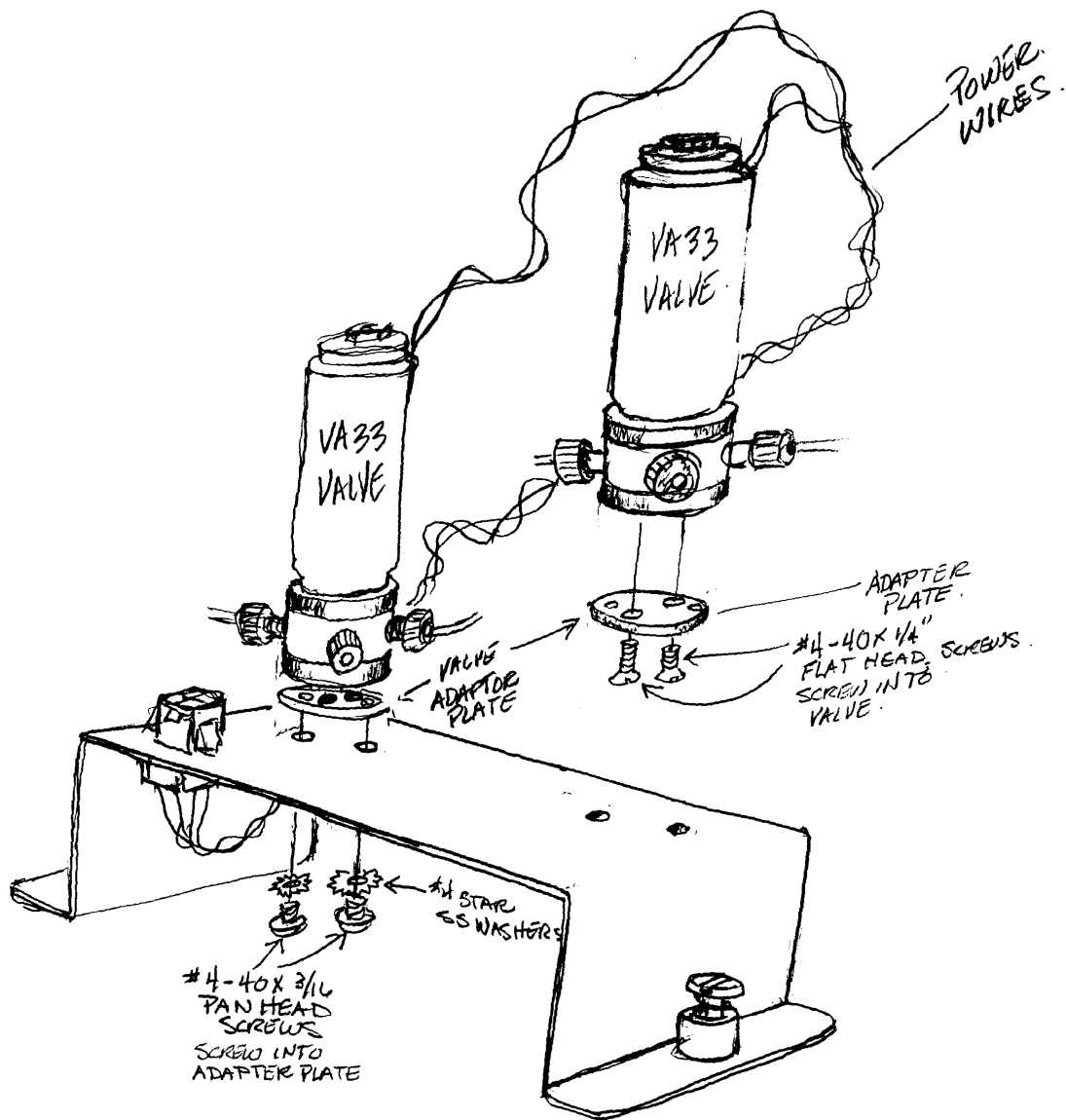
If you have questions regarding this procedure or any API equipment, please contact an API Customer Service representative:

Phone: (619) 657-9800

Fax: (619) 657-9816

Email: customerservice@advpol.com

WWW: <http://www.advpol.com>

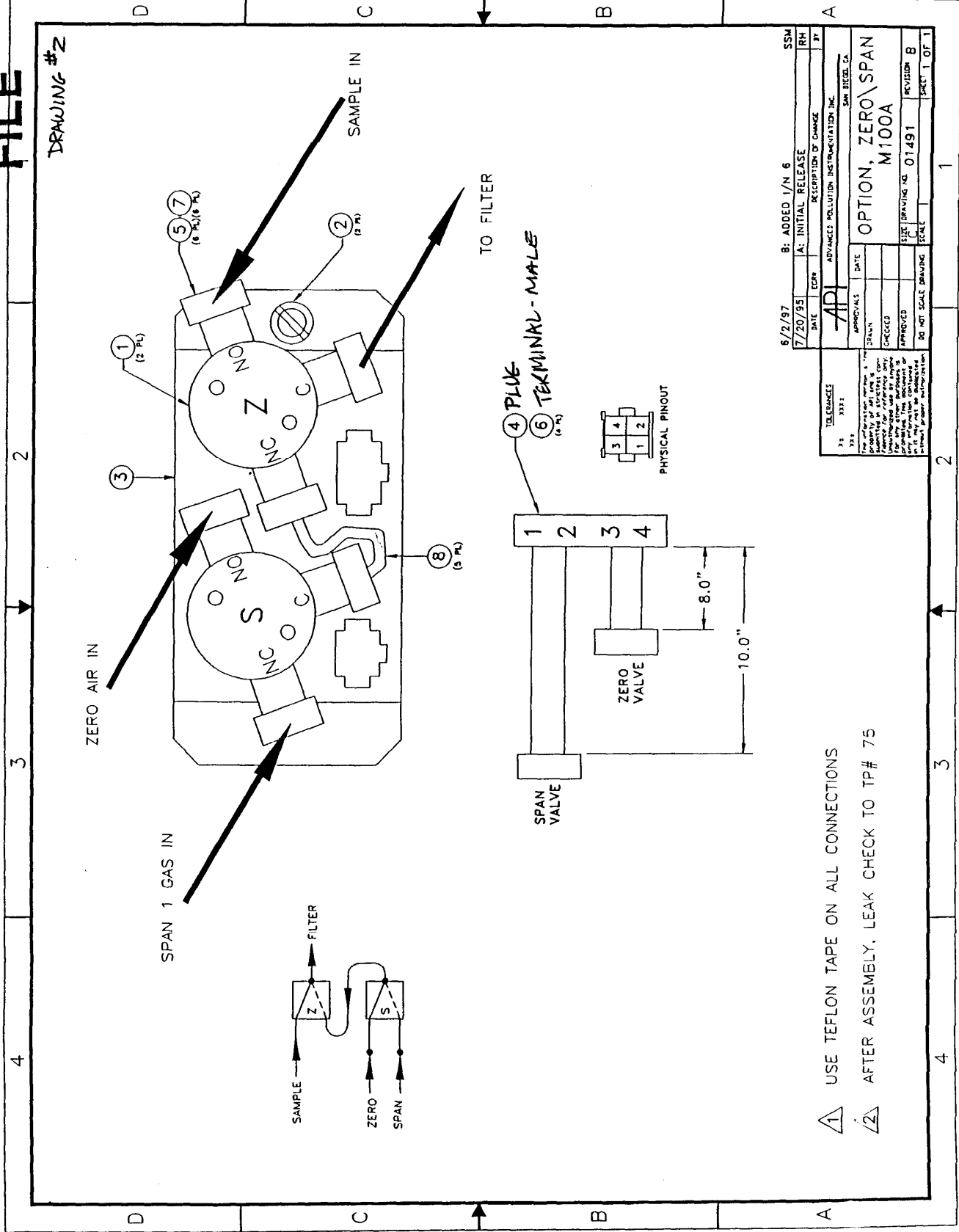


VA-33 SOLENOID VALVE
INSTALLATION.

VED
99

FILE

DRAWING #Z



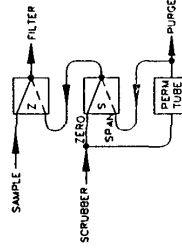
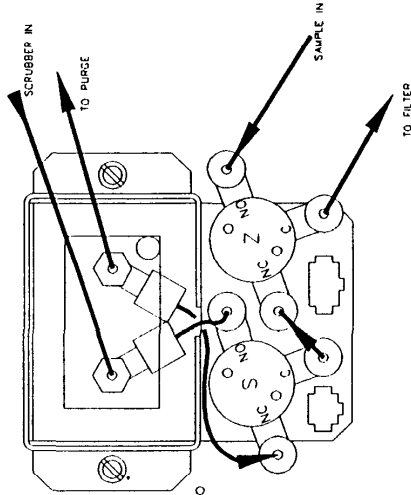
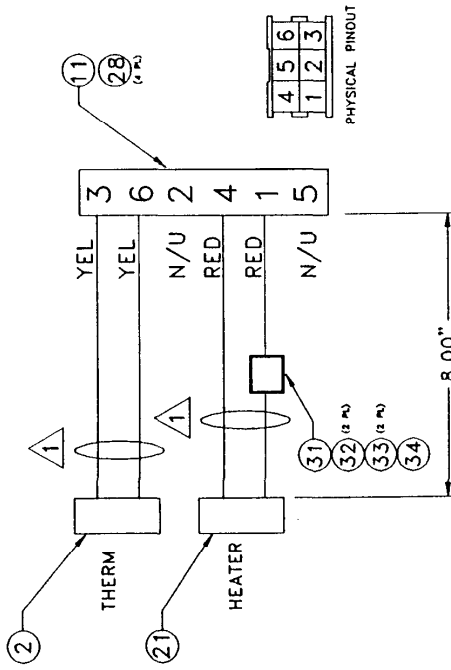
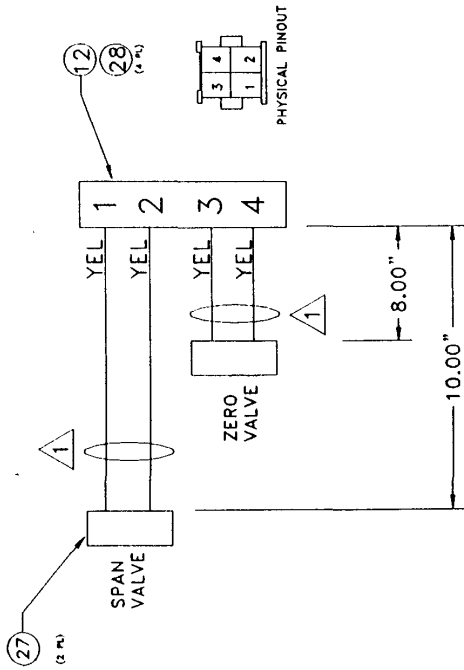
DATE	APPROVALS	DATE	SSM
7/20/95	API		6/2/97
DATE	DESCRIPTION OF CHANGE	BY	
	ADVANCED POLLUTION INSTRUMENTATION, INC.		
	SMI BIESEL CA		
TITLE: OPTION, ZERO \ SPAN M100A SCALE: AS SHOWN REVISION: B SHEET: 1 OF 1			

1 USE TEFLON TAPE ON ALL CONNECTIONS
 2 AFTER ASSEMBLY, LEAK CHECK TO TP# 75

FILE
DRAWING 13

NOTES

1 TWIST WIRES TOGETHER



DATE	4/5/96	BY	RH
DATE	2/8/95	BY	KL
DATE	12/22/94	BY	KL
DATE	12/27/94	BY	KL
DESCRIPTION OF CHANGE	B: ADDED WIRING		
APPROVALS	DATE		
DESIGN	DATE		
CHECKED	DATE		
APPROVED	DATE		
DO NOT SCALE DRAWING			
SCALE			
SHEET 2 OF 3			

TELEPHONE 311 3331
 The information herein is the property of API and is to be used only for the purposes specified. It is not to be distributed, copied, or reproduced in any form without the written permission of API. If it is to be distributed, it must be accompanied by a copy of this document.

API
 ADVANCED POLLUTION INSTRUMENTATION, INC.
 SAN DIEGO, CA

ASSY, IZS
 M100A

SIZE DRAWING NO. 01441
 REVISION E